

TRIM RINGS

TR1256 & TR78 Series

GENERAL SPECIFICATIONS

Function: Covers irregular shaped holes and chipped laminate around hole edges

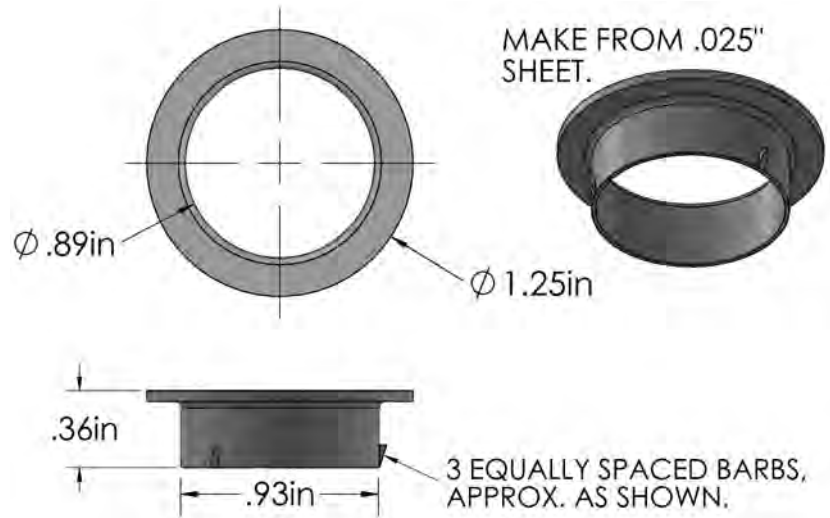
Base material: Brass

TR1256 Finish: US26D (satin chrome), US4 (satin brass), US10B (oil rubbed bronze)

TR78 Finish: US26D (satin chrome), US3 (polished brass), US10B (oil rubbed bronze)

TR1256

Fits 7/8" barrel diameter cabinet locks:
100, 200, 500, 600, 996, 997, 998, 999, N078,
R078, L20V



TR78

Fits 1-1/8" barrel diameter cabinet locks:
700, 721, 725, 754, 777, 800, 850, 854, 888, 931,
950, L72V, L78, L92V

